

Compact Pressure Switches

KLK/KLM

Piston pressure switch Type KLK
 Repeatability ± 1.0 % typical
 Diaphragm seal pressure switch Type KLM
 Repeatability ± 2.0 % typical

Features

OEM pressure switch series,
 Compact design,
 Threaded connection
 Factory settings only fully tamper proof.

Adjustment ranges

1 ... 400 bar

Applications

Mobile hydraulics,
 Motor control,
 Hydraulic clamping



Technical Data

Wetted parts:Type KLK / KLM	NBR, PTFE Brass, roller bearing steel (KLK) Stainless steel (KLM)
Repeatability: Type KLK: Type KLM:	± 1 % typical ± 2 % typical
Switching rate:Type KLK:Type KLM:	max. 60/min max. 30/min
Temperature range: Type KLK:Type KLM:	-40 °C... +80 °C, ATEX, -40 °C ... + 75 °C -20 °C... +80 °C, ATEX, -40 °C ... + 75 °C
Protection class:Silicone cable (K2):Plug connector (S1):	IP67 / IP69K optional IP65
Housing:Type KLK / KLM	Brass and stainless steel
Process connection:	M12 x 1.5 mm male G1/4 male other connections on request
Electrical connection:	Silicone cable (K2) Plug connector (S1)

Electrical ratings capacity and hysteresis:	A large variety of micro switches offers different electrical ratings and hysteresis for many applications.
Weight: Type KLK: Type KLM:	0.2 kg approx. 0.2 kg approx.
Set point adjustment:	Factory set
Intrinsically safe:	The switches are designed for intrinsically safe applications. Please add "Exi" to your ordering details when placing an order. To comply with the intrinsically safe approval following max. ratings must not be exceeded: U _{max} = 28 V I _{max} = 50 mA
Approval:	ATEX: TÜV 20 ATEX 248753X cable K2: II 1G Ex ia IIC T6 Ga II 1 D Ex ia IIIC T100 °C Da U _i = 28 V, I _i = 50 mA, P _i = 0.84 W, C _i = 40 pF, L _i = 4 µH connector S1: II 1G Ex ia IIB T6 Ga II 1D Ex ia IIIC T100 °C Da U _i = 28 V, I _i = 50 mA, P _i = 0.84 W, C _i = 40 pF, L _i = 4 µH

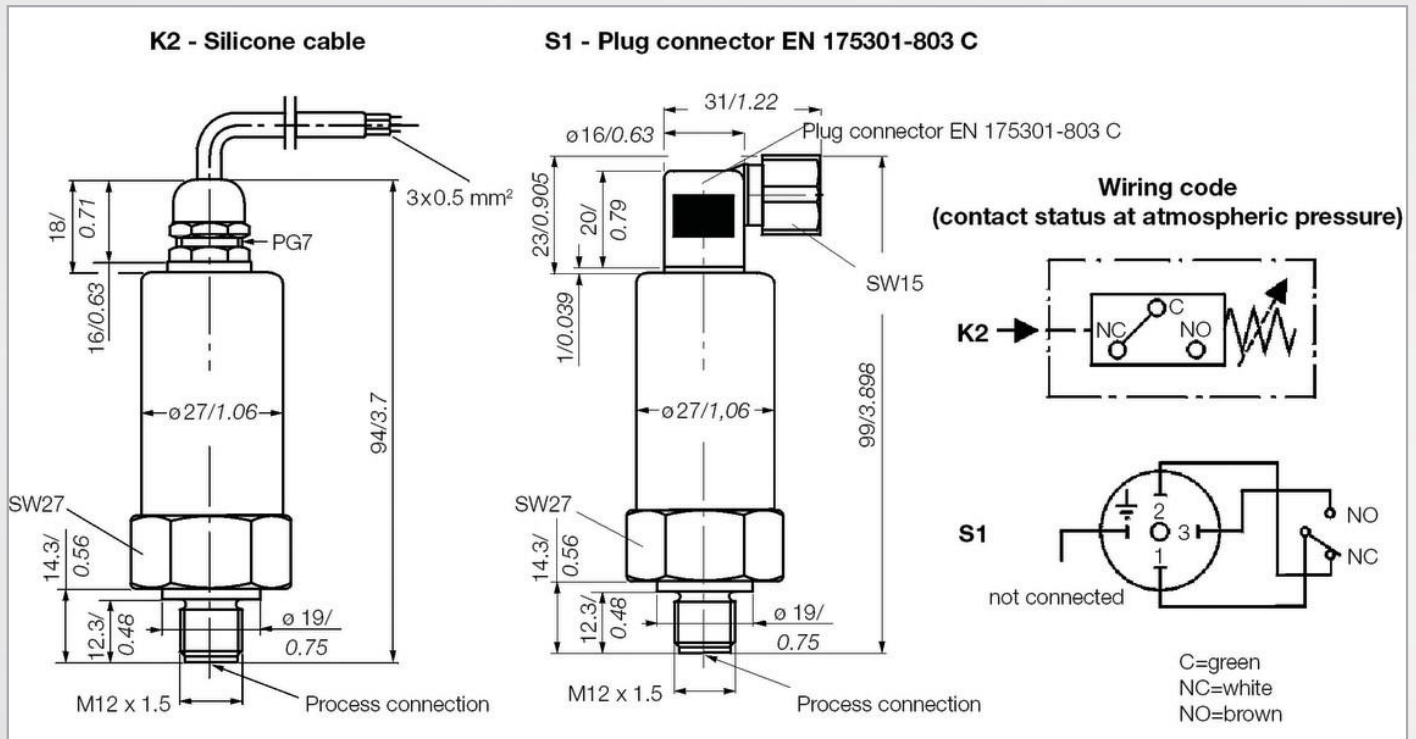
Pressure Ranges

* Higher operating pressure (up to 150 bar) (with proof pressure 200 bar) on request. Please add to your order!

Pressure range code	Adjustment range [bar]	Proof pressure [bar]	Max. operating pressure [bar]	Max. hysteresis [bar]
	Increasing pressure			short term
KLM-006	1 ... 6	80 /200*	40*	0.6
KLM-025	5 ... 25	80 /200*	40*	2.6
KLM-040	10 ... 40	80 /200*	40*	3.8
KLK-100	30 ... 100	450	300	15
KLK-300	60 ... 300	450	300	30
KLK-400	150 ... 400	600	400	60

Compact Pressure Switches

Dimensions (mm / inch)



Electrical Ratings

Micro switch	Special features	Volt DC	Ind. Load A	Res. Load A	Comments
1	Micro switch with silver contacts	30	3.0	5.0	More information on request.
2	Micro switch with gold-plated contacts	≤ 30	--	≤ 0.4	(U x I = max. 0.12 VA)

Process Connection / Electrical Connection

Process connection	Electrical connection	Diaphragm
(M1) M12 x 1,5 male	(S1) Plug connector, 3-pin + E, EN 175301-803 C	KLK: () NBR
(G1) G1/4 male	(K2) Silicone cable 3 x 0.5 mm ² ; 600 mm long	KLM: (V) FKM
		KLM: (N) CR
		KLM: (E) EPDM

Options

EXI	for intrinsically safe application
HP (KLM only)	operating pressure up to 150 bar
IP69K (K2 only)	for Heavy Duty application

Order Code

Example for order number

Type	Type	Pressure range code	Process connection	Electr. connection	Micro switch	Diaphragm	Option
KLK	or KLM	025	G1	S1	2	V	EXI

Your order number

Type	Type	Pressure range code	Process connection	Electr. connection	Micro switch	Diaphragm	Option
KLK	or KLM						