

# Flow Switches

# BFS-40-N / BFS-40-O

or water monitoring, with or without optical display

## Features

large switching range, set point continuously adjustable, rugged, low hysteresis, any mounting position, high accuracy and functional safety, optional with pointer-indicating instrument, ship approvals available for N-versions

## Measuring ranges

0,2...4,0 l/min to 35...250 l/min for water

## Applications

Measuring and monitoring of liquids, e. g. in cooling or hydraulic systems, test beds, pumps etc.



## Technical Data

BFS-40-N (without optical indication)				
Measuring principle:	variable aera flow meter			
Materials: Var. aera flow meter: Spring: Fitting: Housing:	brass version	stainless steel vers.		
	brass	1.4571		
	1.4571	1.4571		
	brass, nickel-plated	1.4571		
	brass, nickel-plated	1.4571		
Operating pressure: BFS-40-N	brass	brass GL	VA	Pressure drop
	200 bar	100 bar	300 bar	0,02...0,8 bar
	Operating temp.: 100 °C (standard), 160 °C (option HT)			
	Accuracy: ±5% f. s.			
Electrical connection:	plug acc. to DIN EN 175301-803-C (former DIN 43650C)			
Contact rating: BFS-40-N	250 V / 3 A / 100 VA	(NO)		
	250 V / 1,5 A / 50 VA	(SPDT)		
Protection class:	IP65 (plug acc. to DIN EN 175301-803-C - former DIN 43650C) IP67 (with moulded cable)			
Approvals:	e.g. GL, BV,...see www.barksdale.de			

## Technical Data

BFS-40-O (with optical indication)			
Measuring principle:	variable aera flow meter		
Materials: Var. aera flow meter: Spring: Fitting: Housing: Display Housing:	brass version	stainless steel vers.	
	brass	1.4571	
	1.4571	1.4571	
	brass, nickel-plated	1.4571	
	brass, nickel-plated	1.4571	
	makrolon	makrolon	
Operating pressure: BFS-40-O:	brass	VA	Pressure drop
	200 bar	300 bar	0,02...0,8 bar
Operating temp.:	100 °C (standard), 160 °C (option HT)		
Accuracy:	±5% f. s.		
Electrical connection:	plug acc. to DIN EN 175301-803-C (former DIN 43650C)		
Contact rating: BFS-40-O	250 V / 3 A / 100 VA	(NO)	
	250 V / 1,5 A / 50 VA	(SPDT)	
Protection class:	IP65 (plug acc. to DIN EN 175301-803-C - former DIN 43650C) IP67 (with moulded cable)		
Approvals:	see www.barksdale.de		

## Switch ranges

in l/min

BFS-40-N G1/4:	BFS-40-N G1/2:	BFS-40-N G3/4:	BFS-40-N G1:	BFS-40-N G1 1/4:	BFS-40-N G1 1/2:
0,2...4,0					
0,5...8,0					
0,6...5,0					
1,0...14					
1,0...28					
	2,0...40				
	4,0...55				
		1,0...70			
		8,0...90			
		5,0...110			
			10...150		
				35...220	
				35...250	

## Switch ranges

in l/min

BFS-40-O G1/4:	BFS-40-O G1/2:	BFS-40-O G3/4:	BFS-40-O G1:	BFS-40-O G1 1/4:	BFS-40-O G1 1/2:
0,2...4,0					
0,5...8,0					
0,6...5,0					
1,0...14					
1,0...28					
	2,0...40				
	4,0...55				
		1,0...70			
		8,0...90			
		5,0...110			
			10...150		
				35...220	
				35...250	

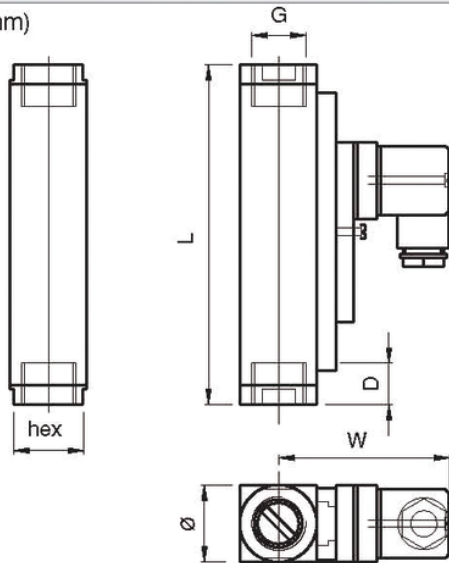
## Flow Switches

## BFS-40-N / BFS-40-O

### Dimensions (mm / inch)

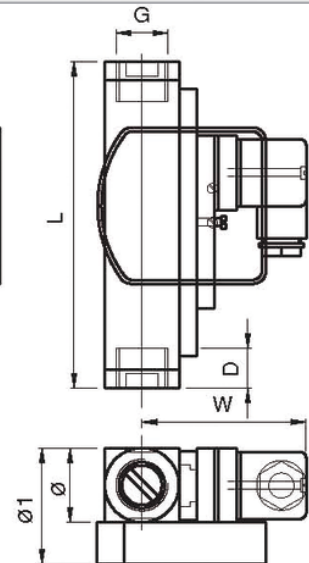
Dimensions (in mm)

**BFS-40-N**



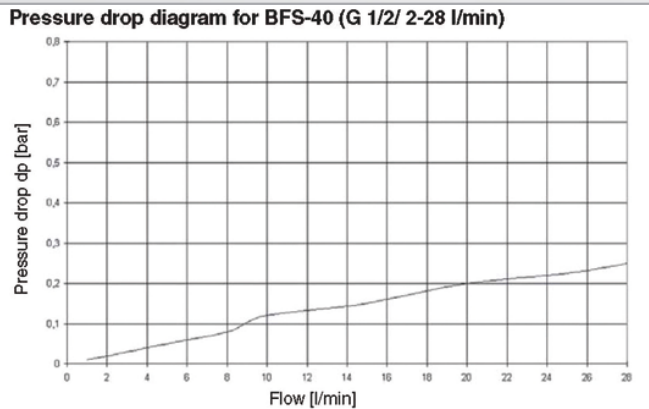
(G)	G 1/4	G 1/2	G 3/4	G 1	1 1/4	1 1/2
(hex)	27	27	27/34	40	40/50	60
(Ø)	30	30	30/40	40	40/50	60
(W)	71	71	71/76	76	76/81	82
(D)	14	14/16	16/18	19	21	24
(L)	130	148	148/152	156	200	200
Weight (g)	130/ 148	850/ 900	900/ 1450	1100	2750/ 3000	3800

**BFS-40-O**

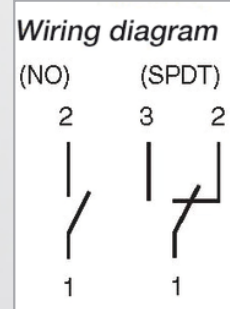


(G)	G 1/4	G 1/2	G 3/4	G 1	1 1/4	1 1/2
(hex)	27	27	27/34	40	40/50	60
(Ø)	30	30	30/40	40	40/50	60
(Ø1)	47	47	47/57	57	57/67	77
(W)	71	71	71/76	76	76/81	82
(D)	14	14	16/18	19	21	24
(L)	130	130/148	148/152	156	200	200
Weight (g)	900	900/950	950/1450	1150	2800/ 3050	3850

### Pressure Drop Diagram



### Wiring Diagrams



### Order Numbers

Order numbers on request  
Note: ATEX versions not available.