

Compact Pressure Switch

Series 9000

Features

- ▶ Compact design as compared to Series 8000
- ▶ Long pressure spring (enhanced adjustment)
- ▶ Captive set screw
- ▶ Standard DIN 43650 electrical connector
- ▶ NEMA 4 / IP65

Applications

- ▶ OEM applications
- ▶ Hydraulic power units
- ▶ Test equipment
- ▶ Heavy industry
- ▶ Mobile and stationary hydraulics
- ▶ Press Equipment



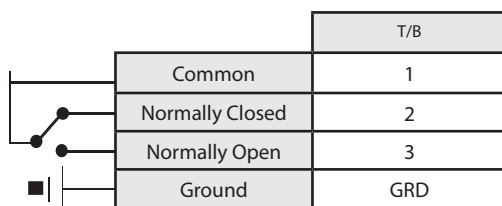
General Specifications*

Repeatability:	±2% (typical)
Microswitch: Type: Rating:	SPDT contact Silver contacts: 10A @ 250 VAC 6A @ 24 VDC
Switching Frequency:	Max. 60/min.
Wetted Parts: Dynamic Seal:	Buna-N (NBR) Viton® (FKM) EPDM (EPR)
Fitting: Piston:	Stainless Steel / Aluminum Steel
Electrical Connection:	DIN 43650 (EN 175301-8013-A plug)
Adjustment Ranges:	90 to 5800 psi (6 to 400 bar)
Ambient Temperature Range: Storage: Ambient/Media:	-40 °F to +176 °F (-40 °C to +80 °C) -4 °F to +176 °F (-20 °C to +80 °C)

Enclosure Rating:	IP65 / NEMA 4
Material: Housing:	Standard: Aluminum Optional: Stainless steel (1.4305) / AISI 303, Version - VA Polyamide
Electrical plug: Adjustment screw:	Standard: Aluminum Optional: Stainless steel, 1.4305 / AISI 303 (SW5), captive
Process Connection (female):	1/4" NPT; G1/4 7/16 - 20 UNF SAE 4
Adjustment Instructions: Setpoint Adjustment:	Turn adjustment screw clockwise to increase pressure; counterclockwise to decrease pressure.
Weight:	0.39 lbs (175 g)

* See Product Configurator for additional options.

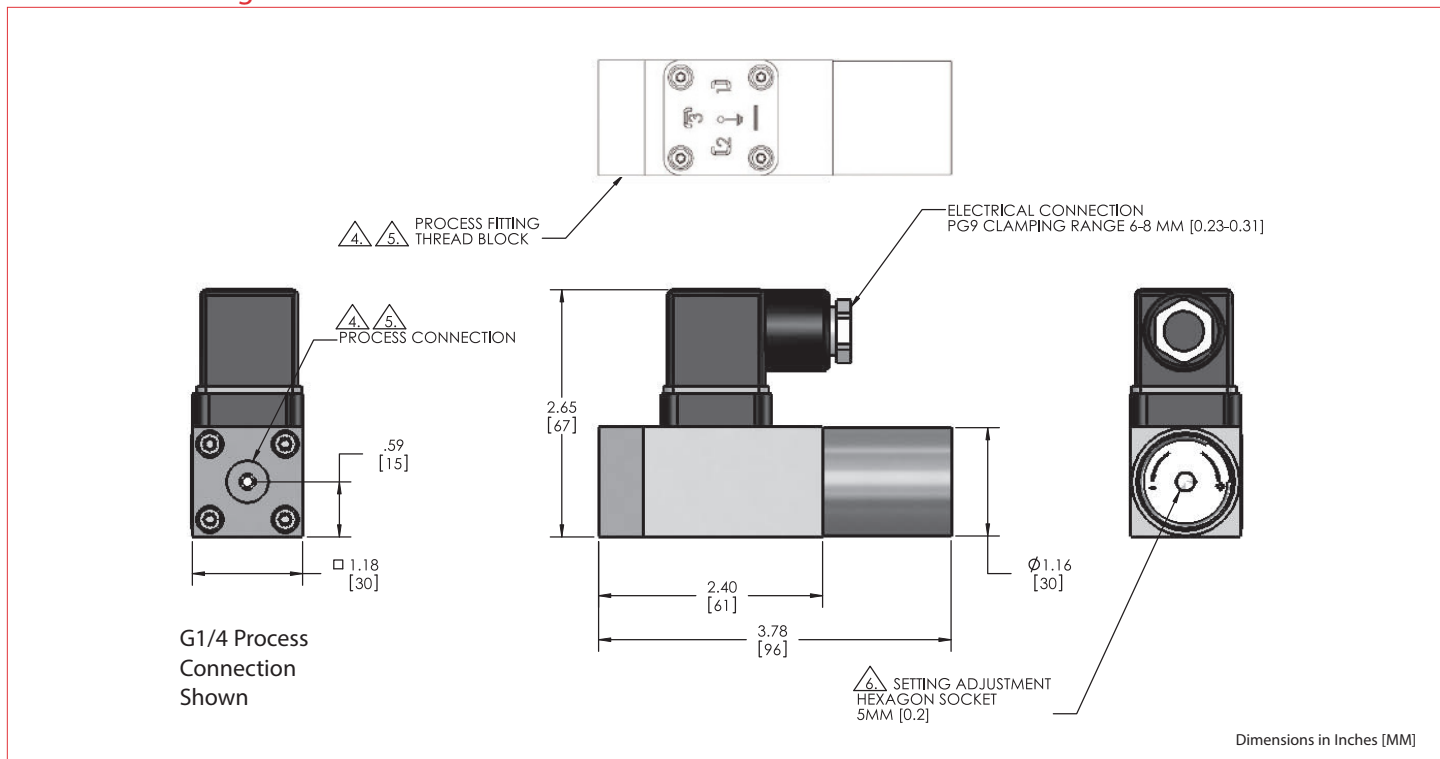
Wiring and Connection Diagram



Compact Pressure Switch

Series 9000

Technical Drawing



Product Configurator

Example	9	A	A	1	T	V		
---------	---	---	---	---	---	---	--	--

Series

9 Series 9000

Process Connection

2	G1/4" female
3	G1/4" IG DIN ISO 228-1 with 2 mounting wholes (Ø 5,5mm / 20mm distance)
A	1/4" NPT female
E	7/16-20 UNF (SAE-4) female

Pressure Range

Range	Adjustable Range		Max. Hysteresis at full range max %	Max. Operating Pressure psi (bar)	Proof Pressure psi (bar)
	Decreasing Press. psi (bar)	Increasing Press. psi (bar)			
A	90 - 630 (6 - 44)	145 - 725 (10 - 50)	10%	3620 (250)	4350 (300)
B	220 - 2680 (15-185)	290 - 2900 (20 - 200)		3620 (250)	4350 (300)
C	510 - 5220 (35 - 360)	580 - 5800 (40 - 400)		7250 (500)	8700 (600)

SPDT Contact

1 Silver

Electrical Connection

T	DIN 43650A, IP65 (formerly PL1)
B	DIN 43650A, without mating plug, IP65

Accessories

/N	DIN 43650 type A connector with molded cable, 6.56 feet (2 meters)
/O	DIN 43650 type A connector with molded cable, 16.40 feet (5 meters)

Options

XXXXR*	Factory setpoint rising (standard)
XXXXF*	Factory setpoint falling

*Example: if setpoint is 2000 rising, order 2000R
If setpoint is 500 falling, order 0500F

Seals

B	BUNA-N (NBR)
V	Viton® (FKM)
E	EPDM (EPR)